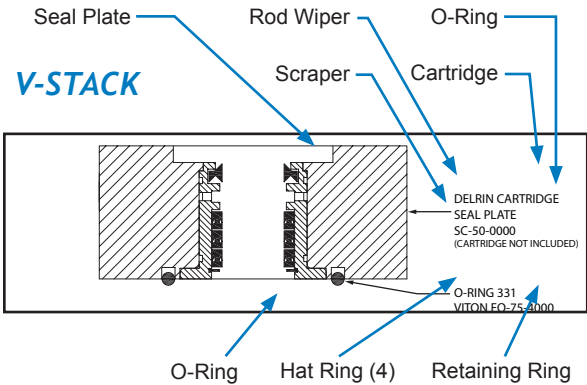


Cartridge Seal Plates

WHAT ARE CARTRIDGE SEAL PLATES?



Cartridge seals prevent a well's liquid from entering the drive cylinder above the wellhead. A precisely engineered cartridge at the center of the seal block provides a watertight seal around the reciprocating-action drive rod. The cartridge scrapes minute well particles as the rod moves up, and then wipes the rod clean as it passes.

New Blackhawk technology has significantly improved the efficiency and life of cartridge seals, which Blackhawk builds from materials including Buna, Viton and brass, depending upon the chemistry and toxicity of liquids being pumped.



The patented Hat Ring™ cartridge system allows quick and simple replacement. Finger pressure pops the old cartridge from the seal block. The new cartridge snaps into place. Cartridges come in two designs and may be interchangeable. Materials include heavy-duty polymers and brass. (See assembly drawings on back.)

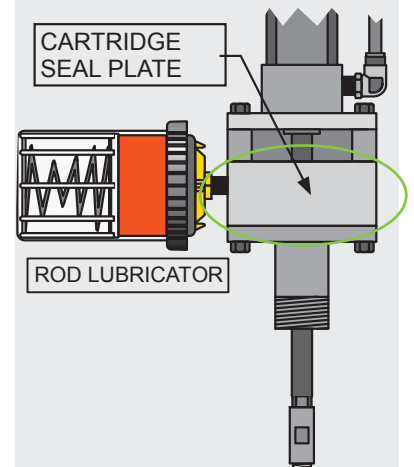
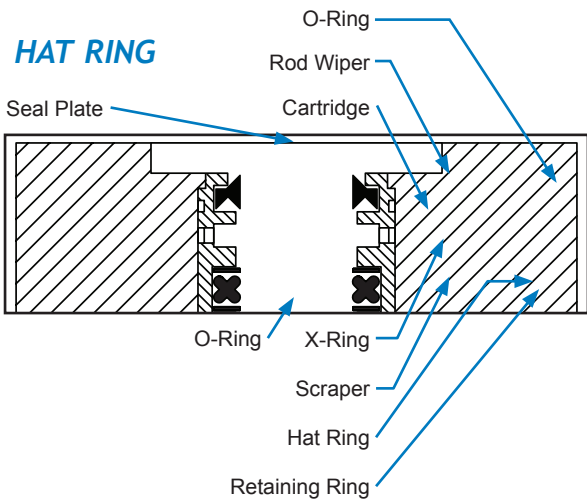


Cartridges -- Internal ribs

WHY ARE THEY IMPORTANT?

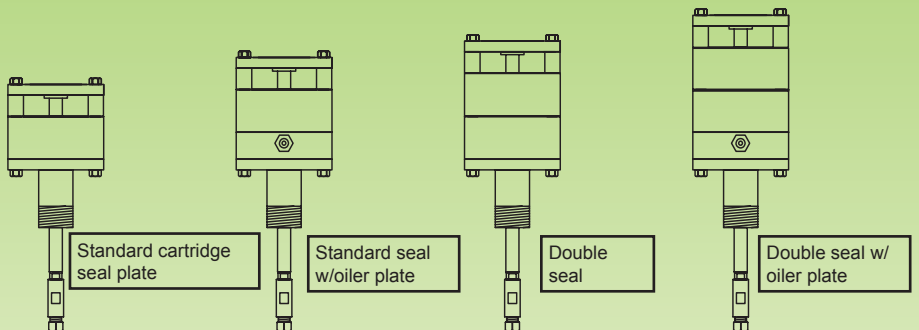
Liquid leaking into the cylinder will corrode the drive motor and ruin the pump. To ensure a watertight seal, cartridges must be replaced with varying frequency depending upon the liquid's corrosiveness. Timely inspections are essential. Failure to replace cartridges when necessary may invalidate the pump warranty.

Blackhawk strongly recommends attaching a rod lubricator to the seal block. A lubricator allows the rod to pass through the cartridge with less friction, thus extending cartridge life and efficiency.



128+ combinations for individual situations

Seal blocks and cartridges are available in several materials, including molded polymers and die-cut metals. Seals come in varying depths and may be stacked to address multiple needs.

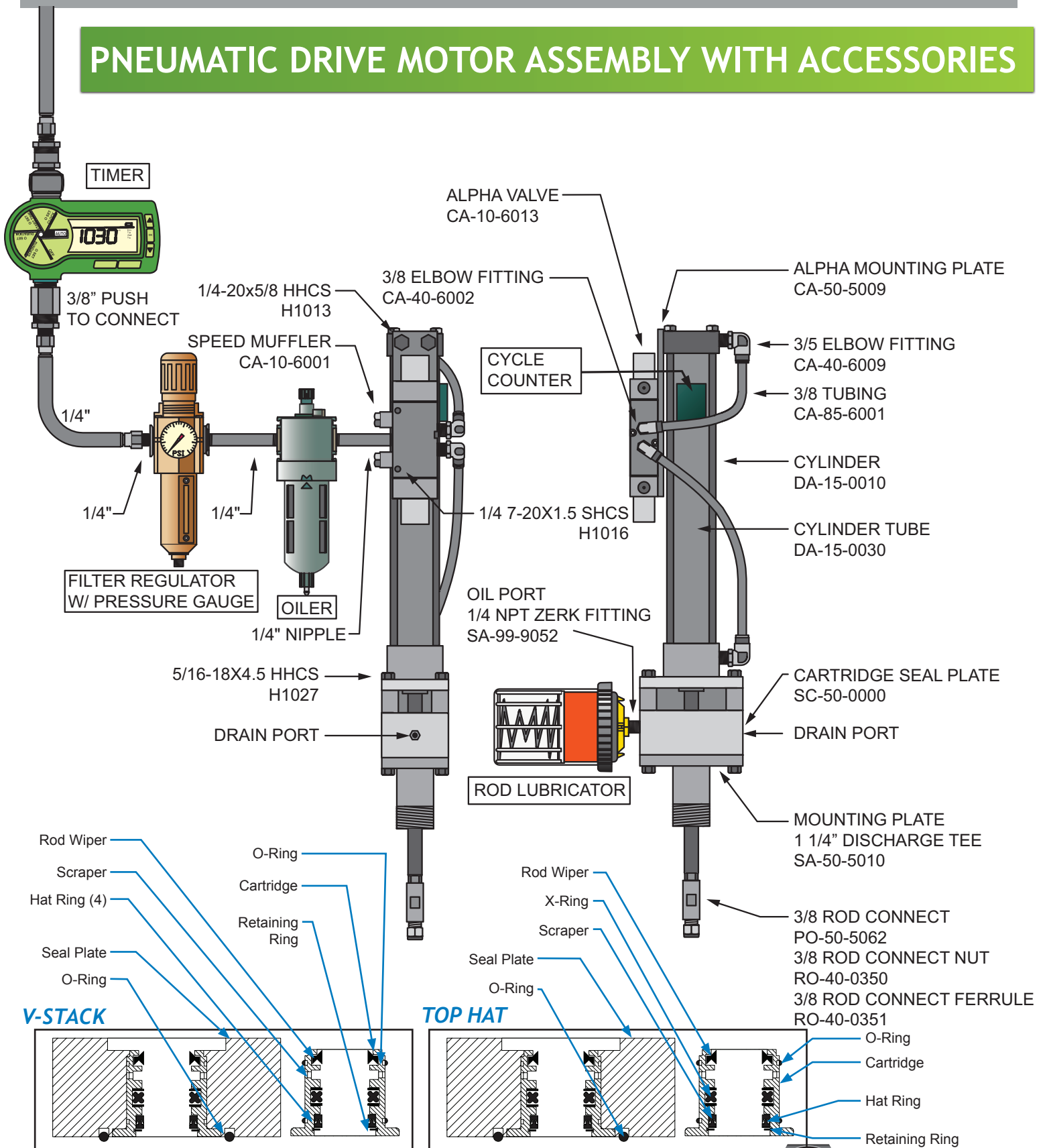


Maximize your investment in Blackhawk Pumps

Fact Sheet #4

Cartridge Seal Plates

PNEUMATIC DRIVE MOTOR ASSEMBLY WITH ACCESSORIES



The best-performing environmental pump in the business

