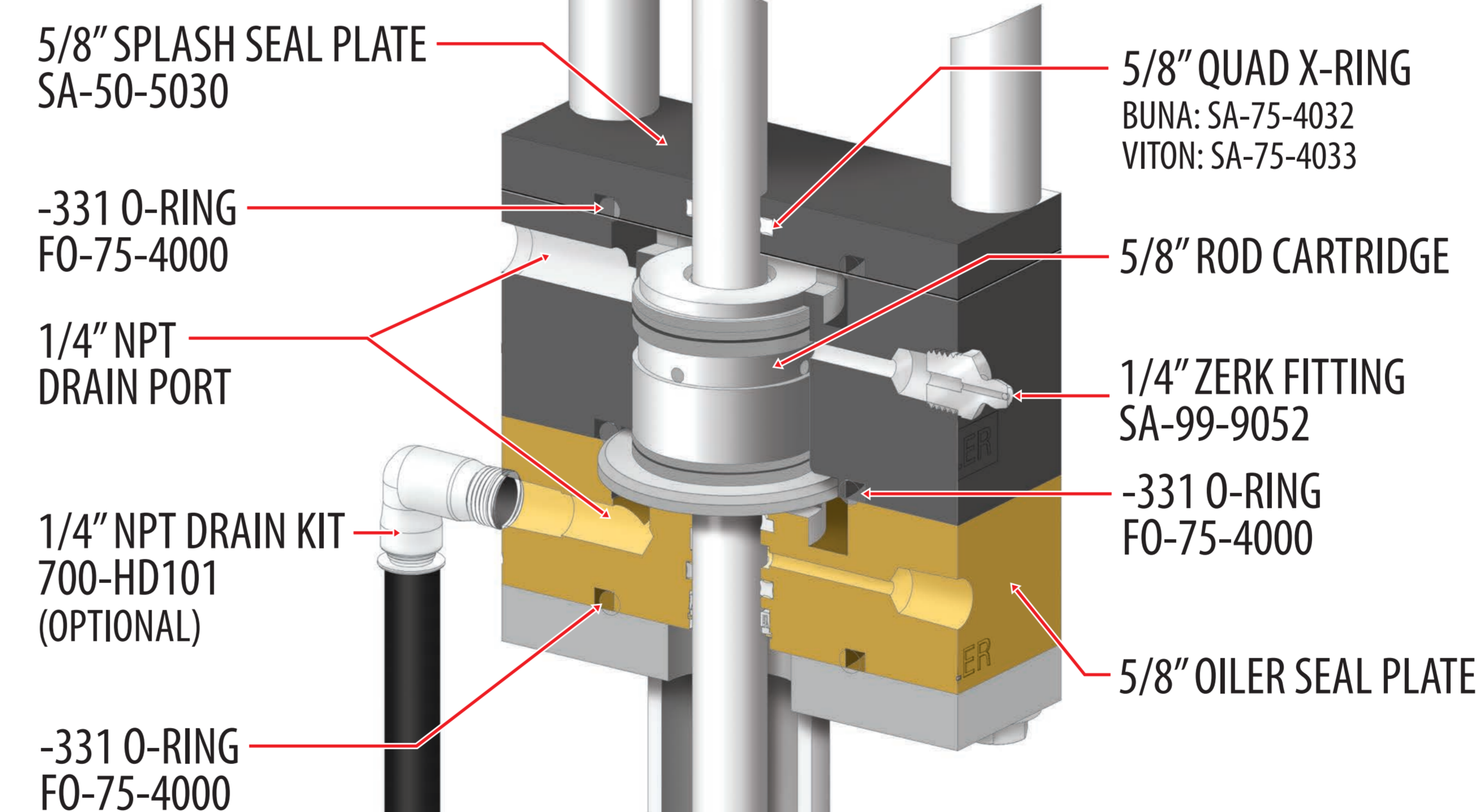
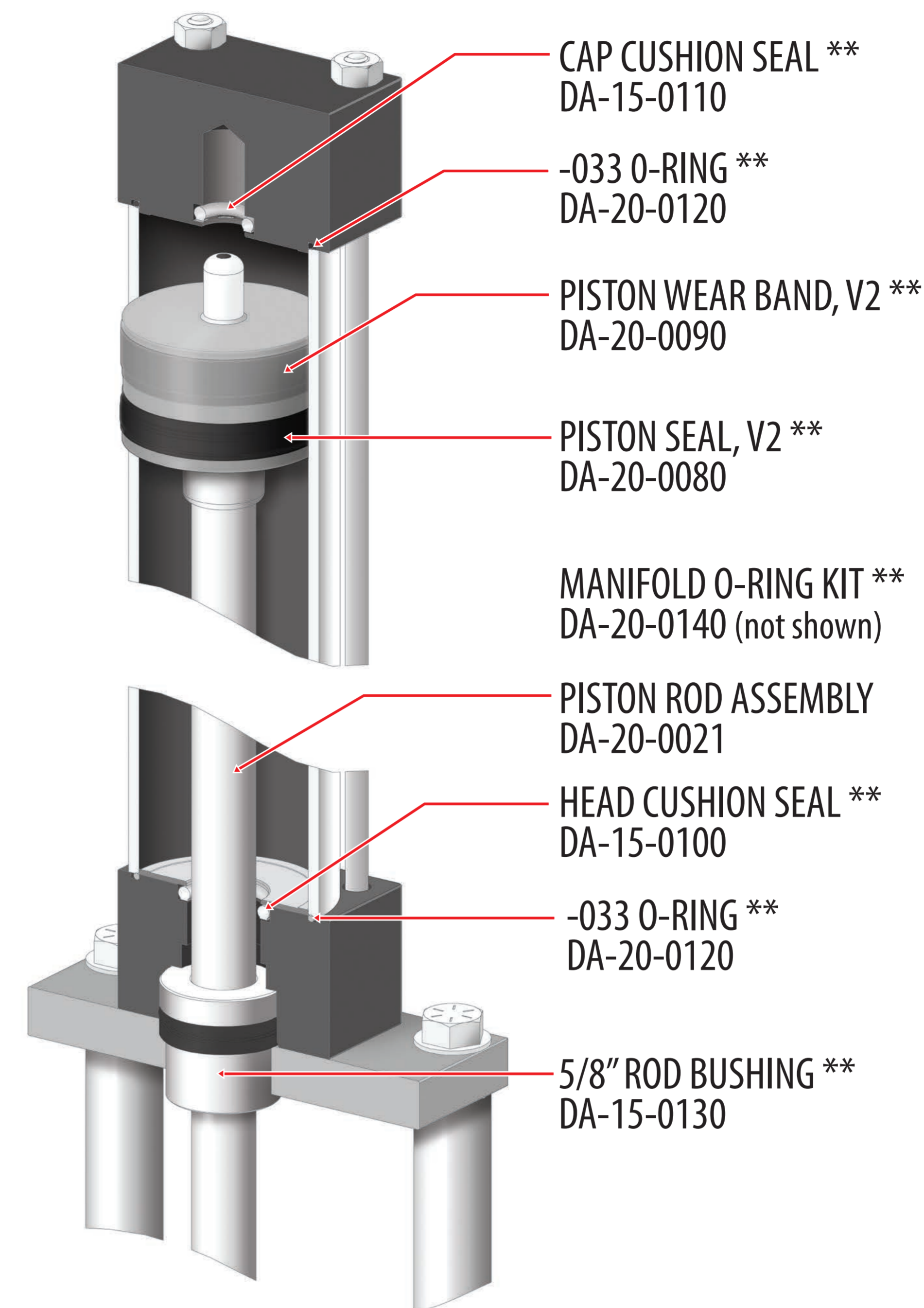
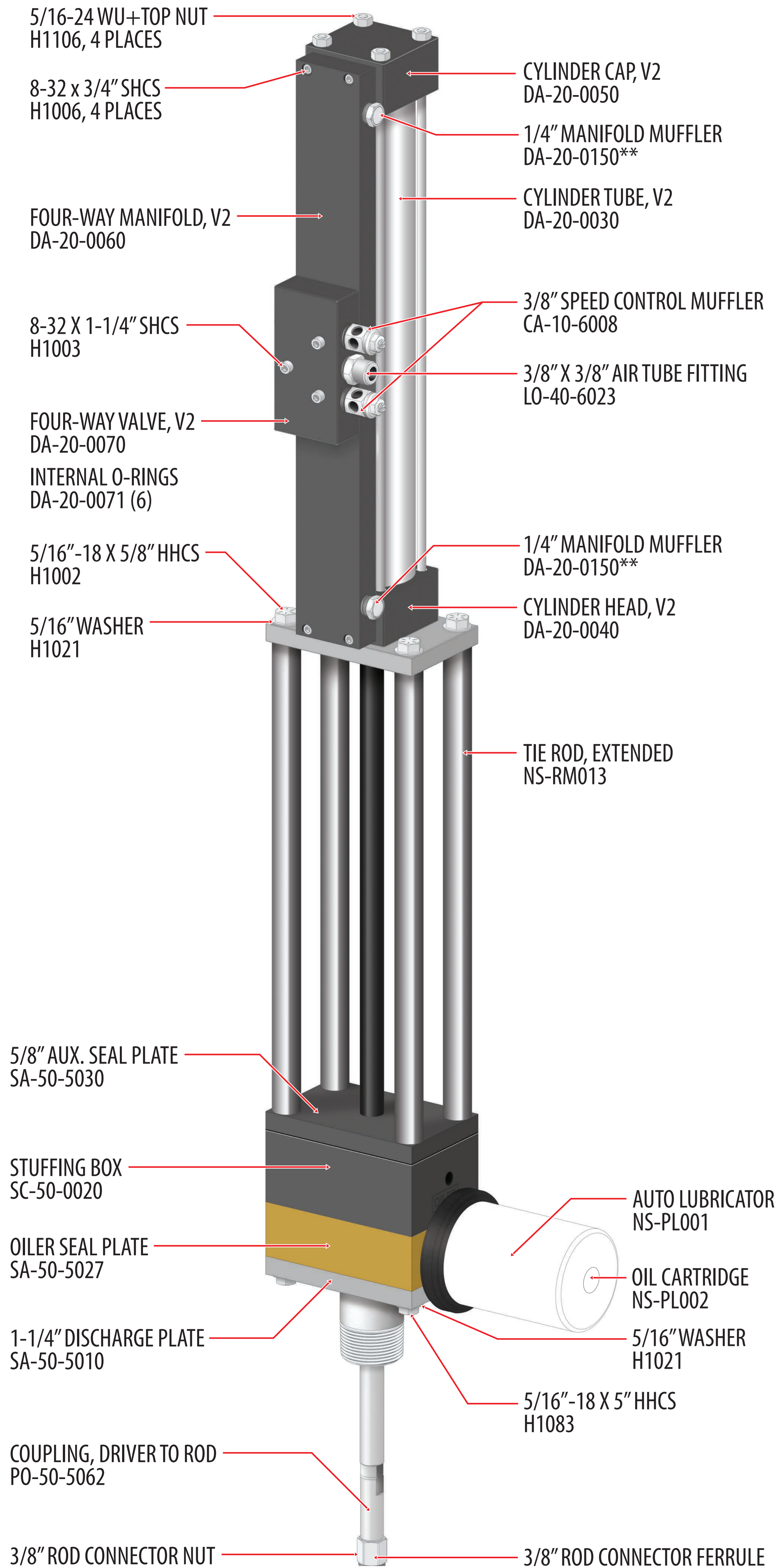


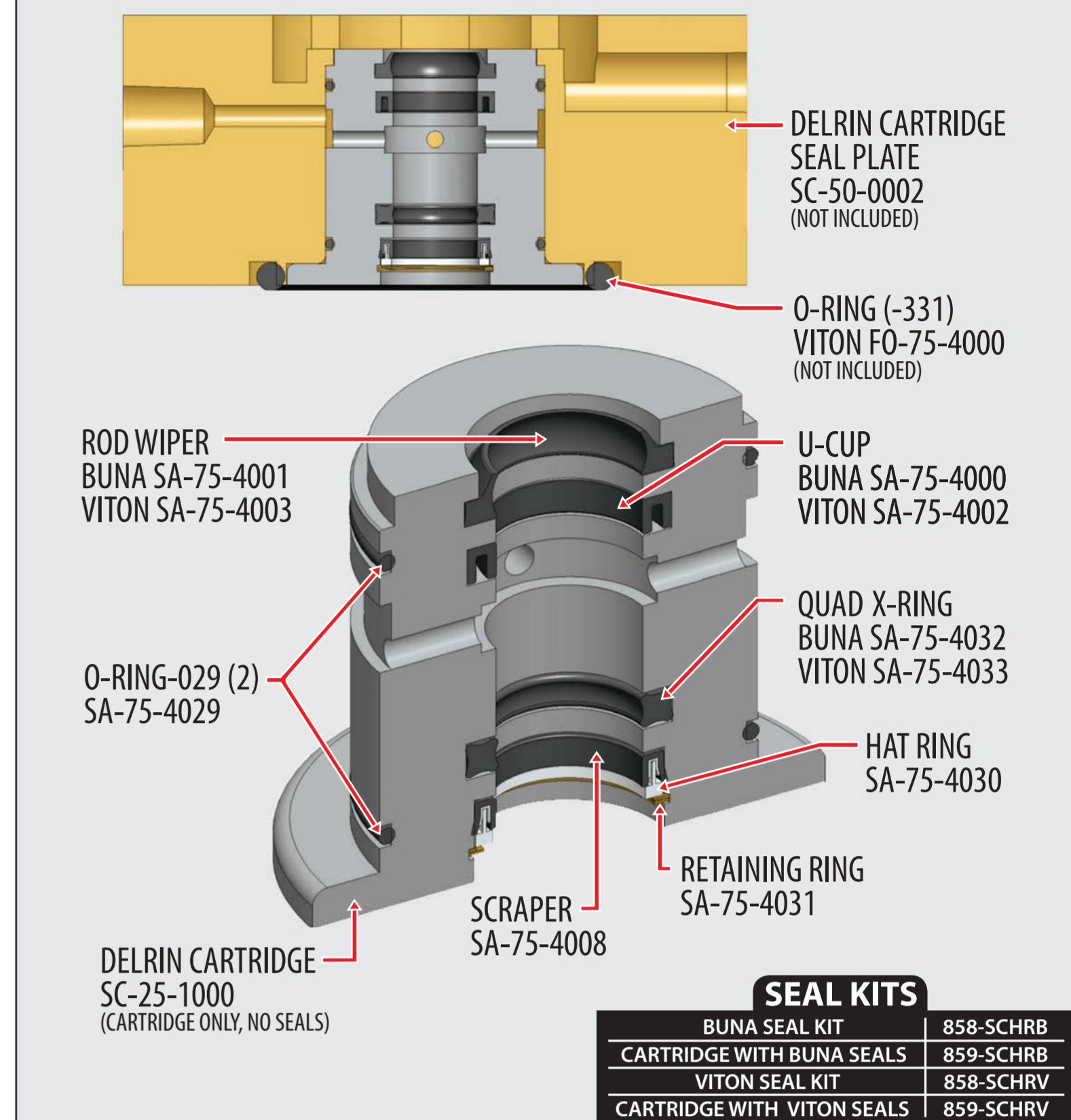
# V-2 Pneumatic Drive Motor Assembly



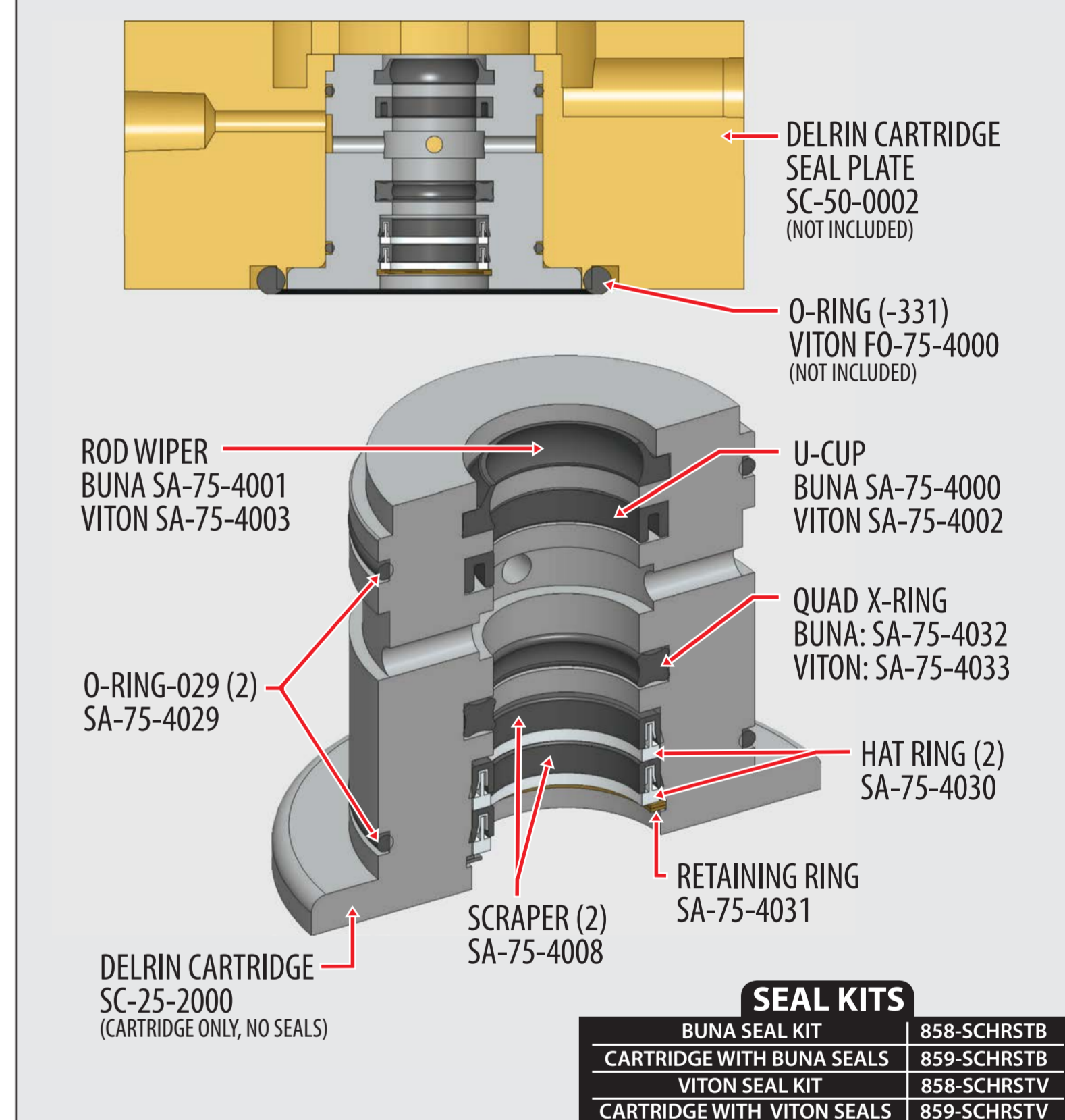
\*\* INCLUDED IN AN INTERNAL CYLINDER SEAL KIT PART # 800-CSK20

## Stuffing Box Configurations

### 5/8" ROD HAT-RING CARTRIDGE



### 5/8" ROD V-STACK CARTRIDGE



### 5/8" BRASS OILER SEAL PLATE ASSEMBLY

